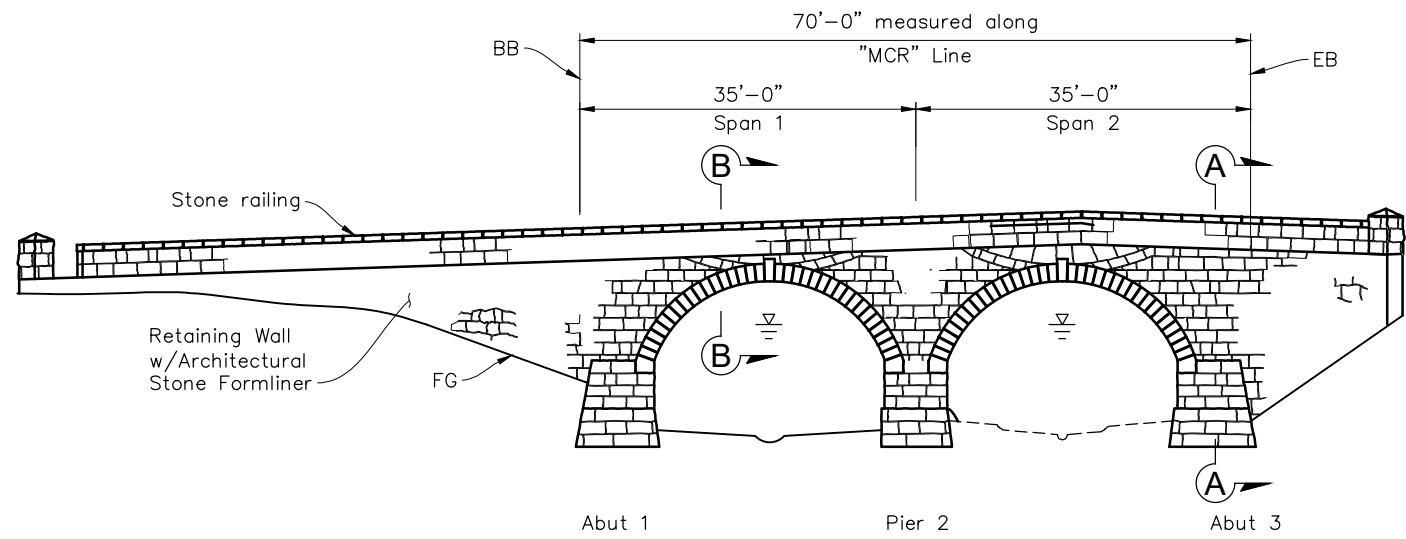


PREPARED FOR THE CLIENT NAME - CLIENT DEPARTMENT

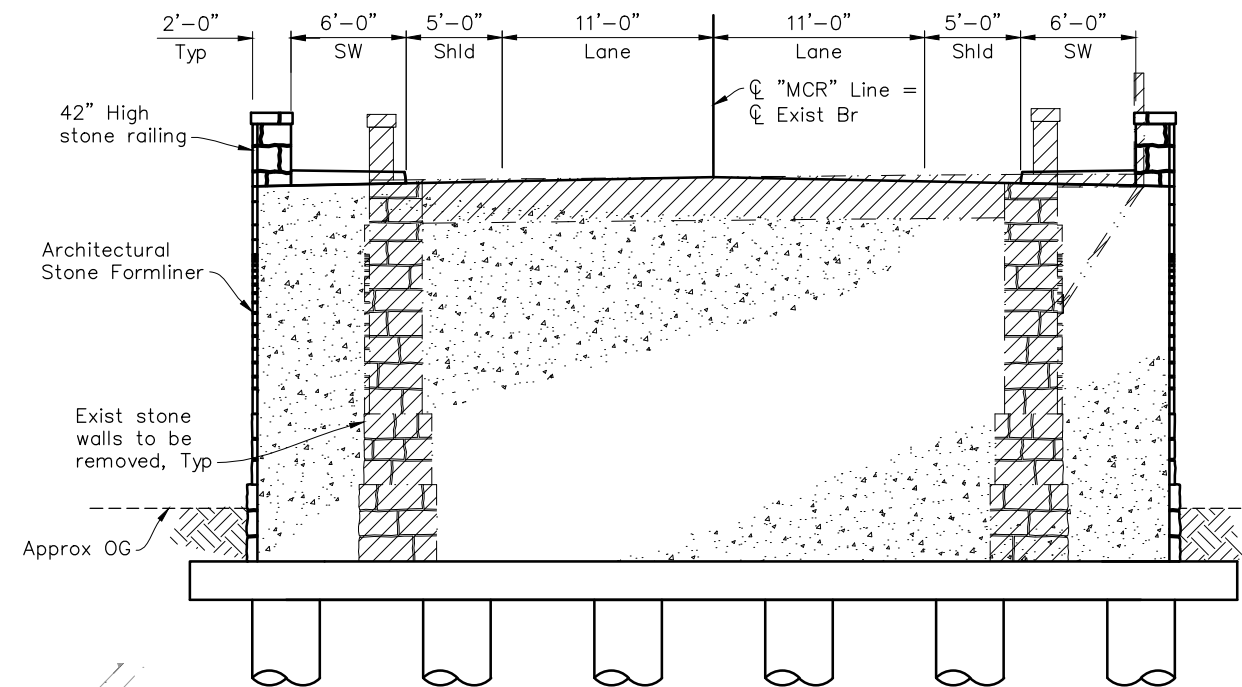
Dist	COUNTY	ROUTE	POST MILES
Las		SRxx	TOTAL PROJECT
			POST MILE
			TOTAL PROJECT

**QUINCY ENGINEERING**

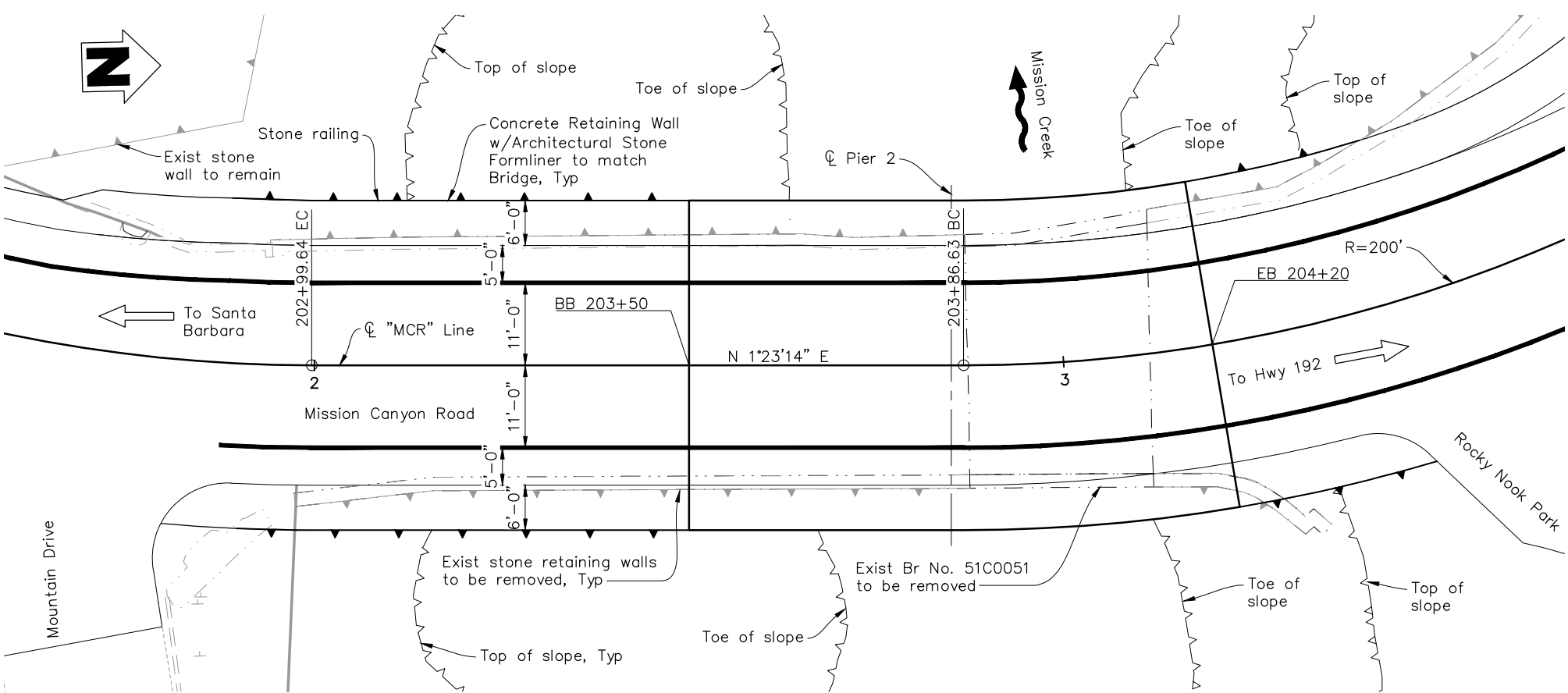
Imperial County Public Works  
155 S 11th Street,  
El Centro, CA 92243



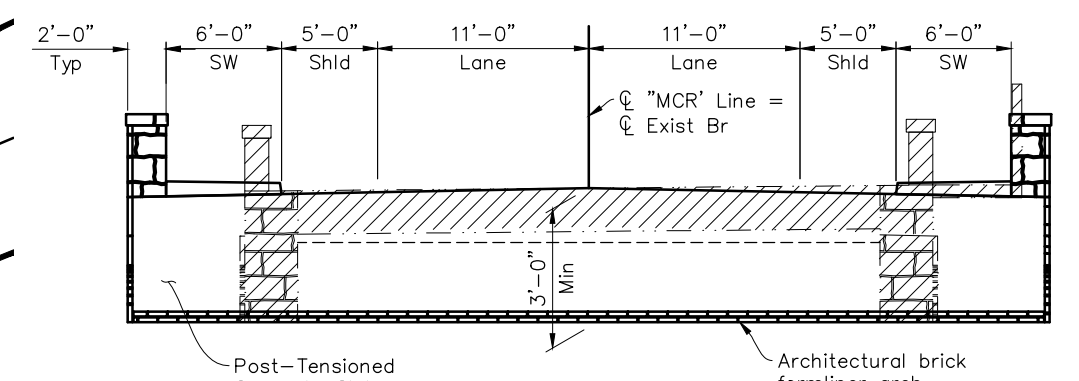
**ELEVATION**  
1"=10'



**SECTION A-A**  
1"=5'



**PLAN**  
1"=10'



**SECTION B-B**  
1"=5'

- Notes:
- ☉ Highwater elevation
  - Existing structure
  - ▨ Indicates structure removal

**ALTERNATIVE 2**

**PLANNING STUDY**

**MISSION CANYON**

DESIGNED BY	D. Morgan	DATE	
DRAWN BY	P. Kenney	DATE	
CHECKED BY	DES CHK	DATE	
APPROVED		DATE	

**BRIDGE**  
PROJECT ENGINEER

BRIDGE NO. 51C0051	UNIT: UNIT
SCALE: SCALE AS SHOWN	PROJECT NUMBER: PROJECT NU

DESIGN OVERSIGHT	
SIGN OFF DATE	