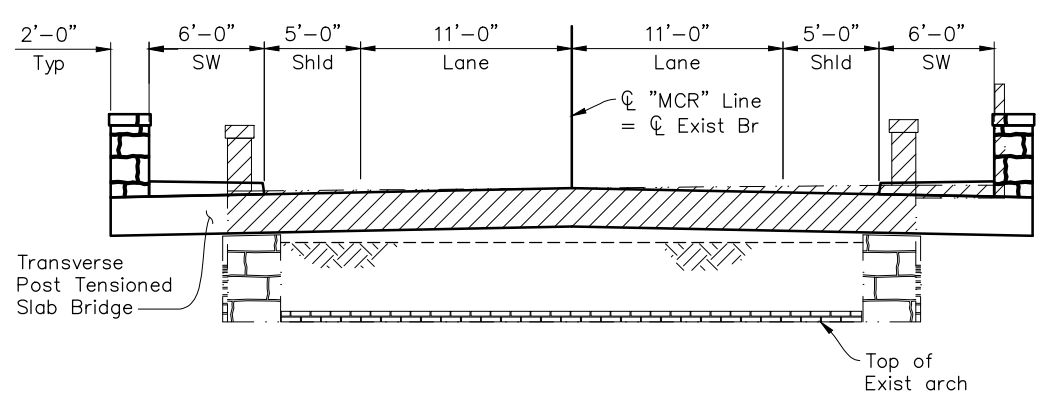
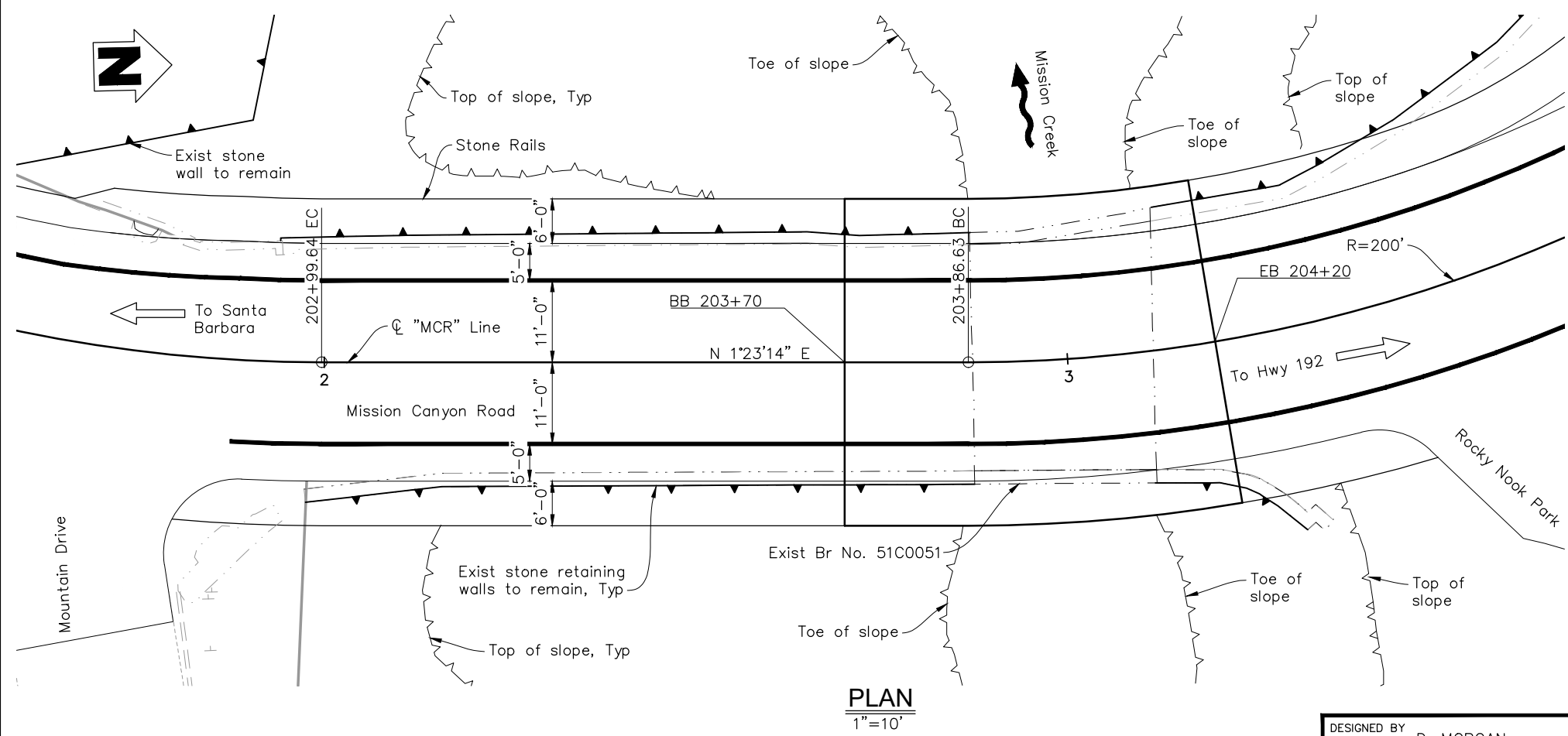
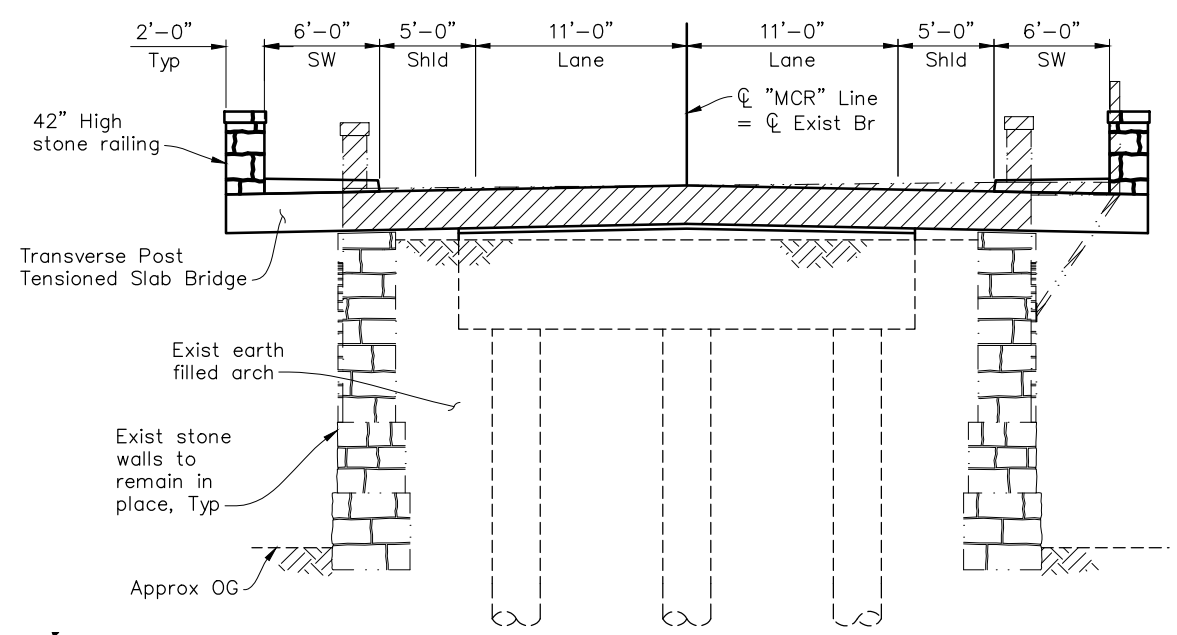
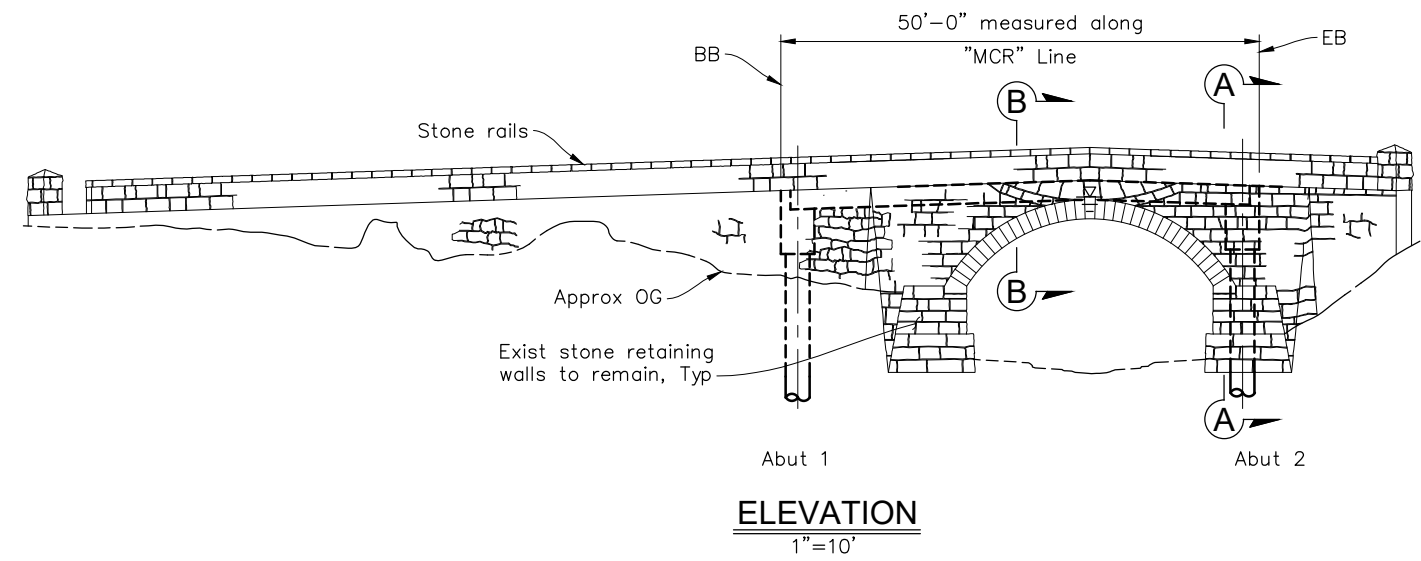


PREPARED FOR THE CLIENT NAME - CLIENT DEPARTMENT

Dist	COUNTY	ROUTE	POST MILES
DIST	Las	SRxx	TOTAL PROJECT
			POST MILE
			TOTAL PROJECT

QUINCY ENGINEERING

Imperial County Public Works
155 S 11th Street,
El Centro, CA 92243



- Notes:
- Highwater elevation
 - Existing structure
 - Indicates structure removal

ALTERNATIVE 1

PLANNING STUDY

MISSION CANYON

DESIGNED BY	D. MORGAN	DATE	
DRAWN BY	P. KENNEY	DATE	
CHECKED BY	DES CHK	DATE	
APPROVED		DATE	

BRIDGE
PROJECT ENGINEER

BRIDGE NO. 51C0051	UNIT: UNIT
SCALE: SCALE AS SHOWN	PROJECT NUMBER: PROJECT NUMBER

DESIGN OVERSIGHT	
SIGN OFF DATE	