

Site Plan
 Scale: 1/64"=1'-0" @ 11x17

CLIENT:	BMW of Santa Barbara 13155
LOCATION:	402 S. Hope Ave Santa Barbara CA 93105
DATE:	07.21.2020
DRAWING #	BMW-Santa Barbara-101
DRAWN BY:	DJG

THIS DESIGN AND RELATED SPECIFICATIONS ARE SUBMITTED AS PART OF OUR PROPOSAL AND IS TO REMAIN OUR PROPERTY EXCLUSIVELY UNTIL ACCEPTED AND APPROVED BY PURCHASE.

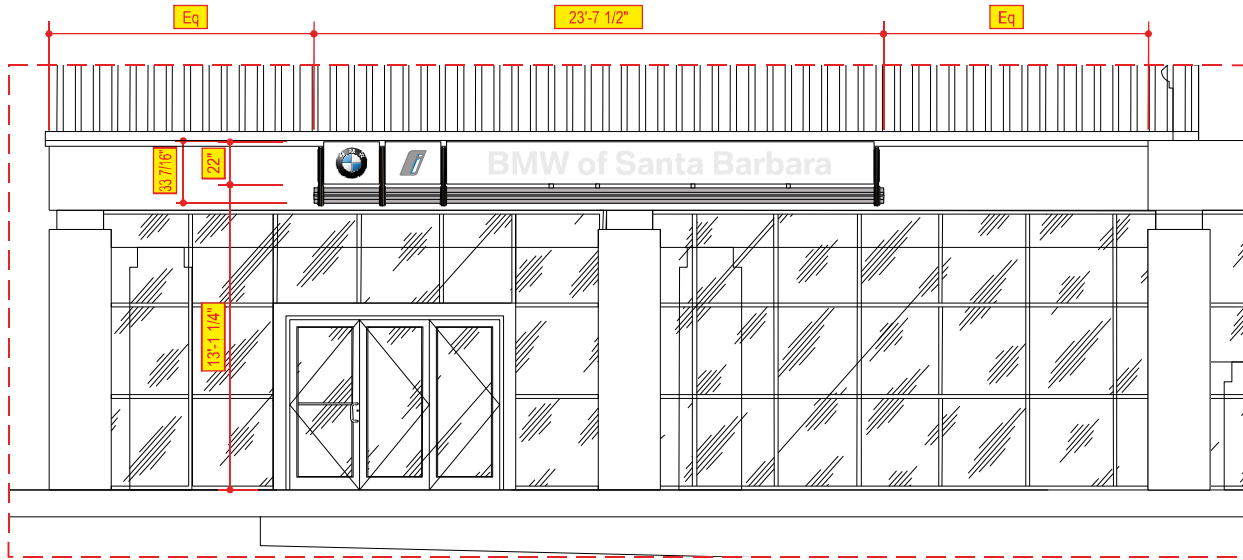
REV #	DESCRIPTION	DATE	BY
#1	Updated CNM1, Moved Location and Changed Size	09.21.20	DJG

THIS SIGN IS INTENDED TO BE INSTALLED IN ACCORDANCE WITH THE REQUIREMENTS OF ARTICLE 09.02 AND 09.07 OF THE APPLICABLE LOCAL CODES. THIS INCLUDES PROPER GROUNDING AND BONDING OF THE SIGN.

CUSTOMER APPROVAL:
 SIGNATURE: _____
 DATE: _____
 APPROVAL RECEIVED BY UVB: _____
 DATE: _____

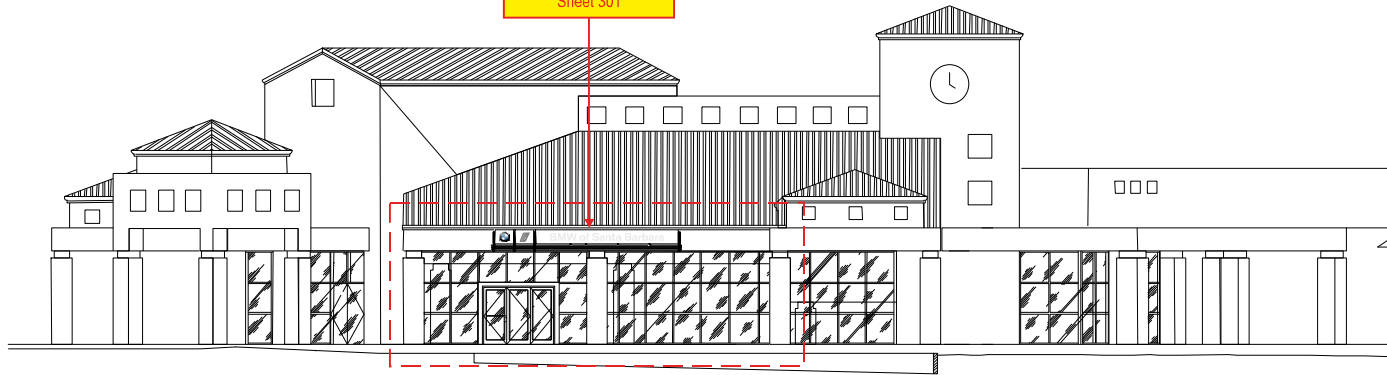
IMPORTANT:
 UNITED VISUAL BRANDING IS NOT RESPONSIBLE FOR REMOVING EXISTING CONCRETE FOUNDATIONS OR OBSTRUCTING UNDERGROUND OBSTRUCTIONS INCLUDING BUT NOT LIMITED TO ABANDONED UTILITIES, STONE, SEPTIC SYSTEMS, ETC.

206 Tower Drive
 Oldsmar, Florida 34677
 www.uvbrand.com
 813-855-3300



East Elevation
Scale: 3/16"=1'-0" @ 11x17

Sign #1
CUSTOM
LM1-B, LM1-I, CNM1
"BMW of Santa Barbara"
43.3 SqFt
Sheet 301



East Elevation
Scale: 1/16"=1'-0" @ 11x17

CLIENT:	BMW of Santa Barbara 13155
LOCATION:	402 S. Hoce Ave Santa Barbara CA 93105
DATE:	07.21.2020
DRAWING #	BMW-Santa Barbara-201
DRAWN BY:	DJG

THIS DESIGN AND RELATED SPECIFICATIONS ARE SUBMITTED AS PART OF OUR PROPOSAL AND IS TO REMAIN OUR PROPERTY EXCLUSIVELY UNTIL ACCEPTED AND APPROVED BY PURCHASE

#	DESCRIPTION	DATE	BY
#2	Updated CNM with 12" Lettering	01.19.21	DJG
#1	Updated CNM1, Moved Location and Changed Size	09.21.20	DJG

THIS SIGN IS INTENDED TO BE INSTALLED IN ACCORDANCE WITH THE REQUIREMENTS OF ARTICLE 600 OF THE NATIONAL ELECTRICAL CODE AND / OR OTHER APPLICABLE LOCAL CODES. THIS INCLUDES PROPER GROUNDING AND BONDING OF THE SIGN.

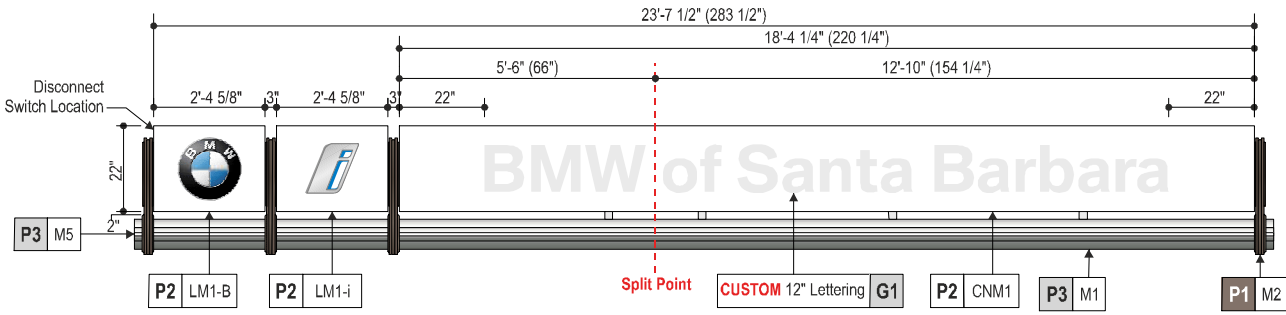


CUSTOMER APPROVAL:
SIGNATURE _____
DATE: _____
APPROVAL RECEIVED BY UVB _____
DATE: _____

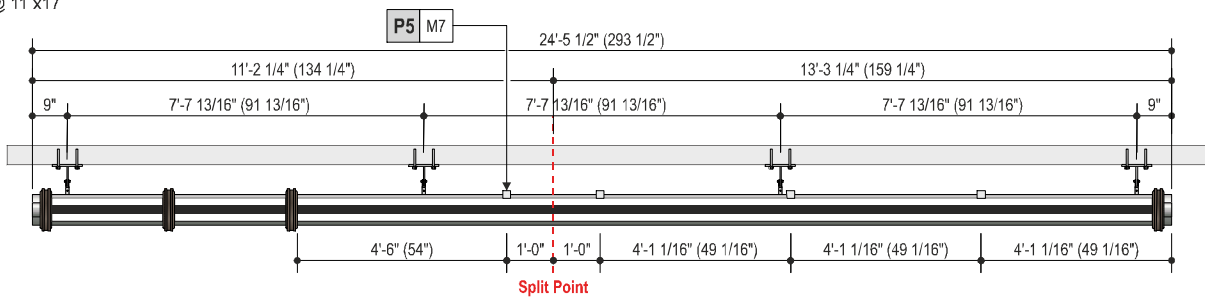
IMPORTANT:
PERMANENT ACCESS TO THE BACK SIDE OF THE WALL IS REQUIRED FOR INSTALLATION AND WIRING OF THE SIGN. IF IT IS NOT AVAILABLE IT MUST BE PROVIDED BY THE CUSTOMER BEFORE INSTALLATION.



206 Tower Drive
Oldsmar, Florida 34677
www.uvbrand.com
813-855-3300



Elevation
Scale : 3/8" = 1'-0" @ 11 x 17



Plan View
Scale : 3/8" = 1'-0" @ 11 x 17

CUSTOM CNM1 SQFT. 22" x 23'-2 1/2" = 43.3 SQFT.

Sign #1	
Sign Weight	
Approx. 870 lbs	
Color Specifications	
P1 BMW F1 Charcoal	P2 BMW White (Gloss)
P3 Clear Anodized Aluminum	P5 RAL 9006 Silver
G1 3/4" clear acrylic backed with 3635-30 white diffuser with #8 20 ga polished stainless steel overlays	

Electrical Specifications

Electrical circuit dedicated to sign only required. Power to sign to be installed and supplied by others.

CABINET Power Supplies
12v/60w
Qty Req'd: 4 @ 1.2 Amps Ea
White LEDs

Bearing Structure Power Supplies:
Qty Req'd: 1 @ 1.0 Amps Ea

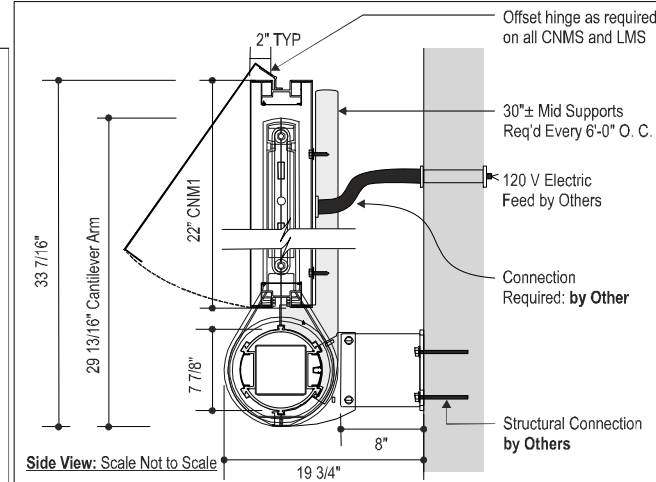
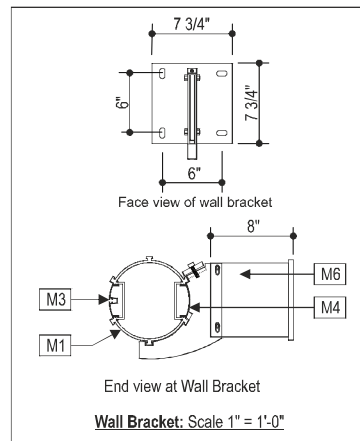
Max. Amps Req'd: 5.8
Voltage Req'd: 120-277v

Note: Primary Electrical and Final Electrical Connection by Others

Note: Dealer Responsible for Providing Adequate Structure to Support Signage.

Specifications:
Sign modules are fabricated from .090 aluminum faces painted P2. Internally illuminated routed faces.
Logo graphics are identical to pyfon modules, mounted with stainless steel hardware.

Material	Description
M1	200mm pole - bearing structure. Length as required (2" past outside cantilevers, typ.)
M2	Cantilever supports at each end of facade module (30") w/ 1/2" S.S. mounting hardware
M3	LED insert strip on front of bearing structure (typ)
M4	Blank insert strip on building side of bearing structure (typ)
M5	End Cap (typ)
M6	Wall Brackets: Spaced no further than 10'-6" as required for overall length. Minimum three required per bearing structure.
M7	Middle Support Brackets: on modules longer than 10 feet. Brackets add stability to sign structure. Spaced 6'-0" on center (CNM1-3) and 3'-0" on center for a CNM4



CLIENT:	BMW of Santa Barbara 13155
LOCATION:	402 S. Hoce Ave Santa Barbara CA 93105
DATE:	07.21.2020
DRAWING #:	BMW-Santa Barbara-301
DRAWN BY:	DJG

THIS DESIGN AND RELATED SPECIFICATIONS ARE SUBMITTED AS PART OF OUR PROPOSAL AND IS TO REMAIN OUR PROPERTY EXCLUSIVELY UNTIL ACCEPTED AND APPROVED BY PURCHASER			
#2	Updated CNM with 12" Lettering	01.19.21	DJG
#1	Updated CNM1, Moved Location and Changed Size	09.21.20	DJG
REV #	DESCRIPTION	DATE	BY

THIS SIGN IS INTENDED TO BE INSTALLED IN ACCORDANCE WITH THE REQUIREMENTS OF ARTICLE 600 OF THE NATIONAL ELECTRICAL CODE AND / OR OTHER APPLICABLE LOCAL CODES. THIS INCLUDES PROPER GROUNDING AND BONDING OF THE SIGN.

CUSTOMER APPROVAL:
SIGNATURE: _____
DATE: _____
APPROVAL RECEIVED BY UVB: _____
DATE: _____

IMPORTANT:
PERMANENT ACCESS TO THE BACK SIDE OF THE WALL IS REQUIRED FOR INSTALLATION AND WIRING OF THE SIGN. IF IT IS NOT AVAILABLE IT MUST BE PROVIDED BY THE CUSTOMER BEFORE INSTALLATION.

206 Tower Drive
Oldsmar, Florida 34677
www.uvbrand.com
813-855-3300