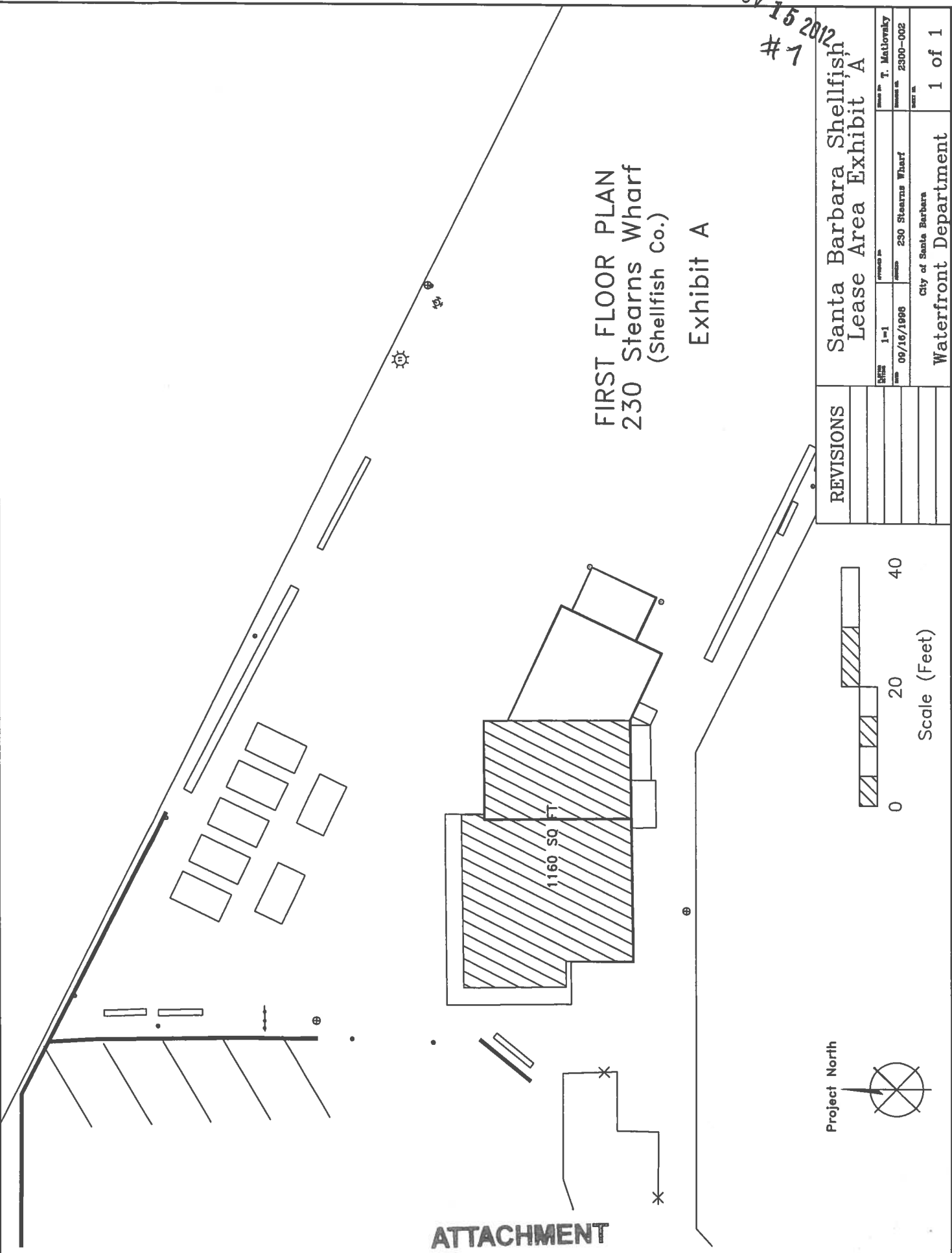


NOV 15 2012
7



FIRST FLOOR PLAN
230 Stearns Wharf
(Shellfish Co.)

Exhibit A

REVISIONS



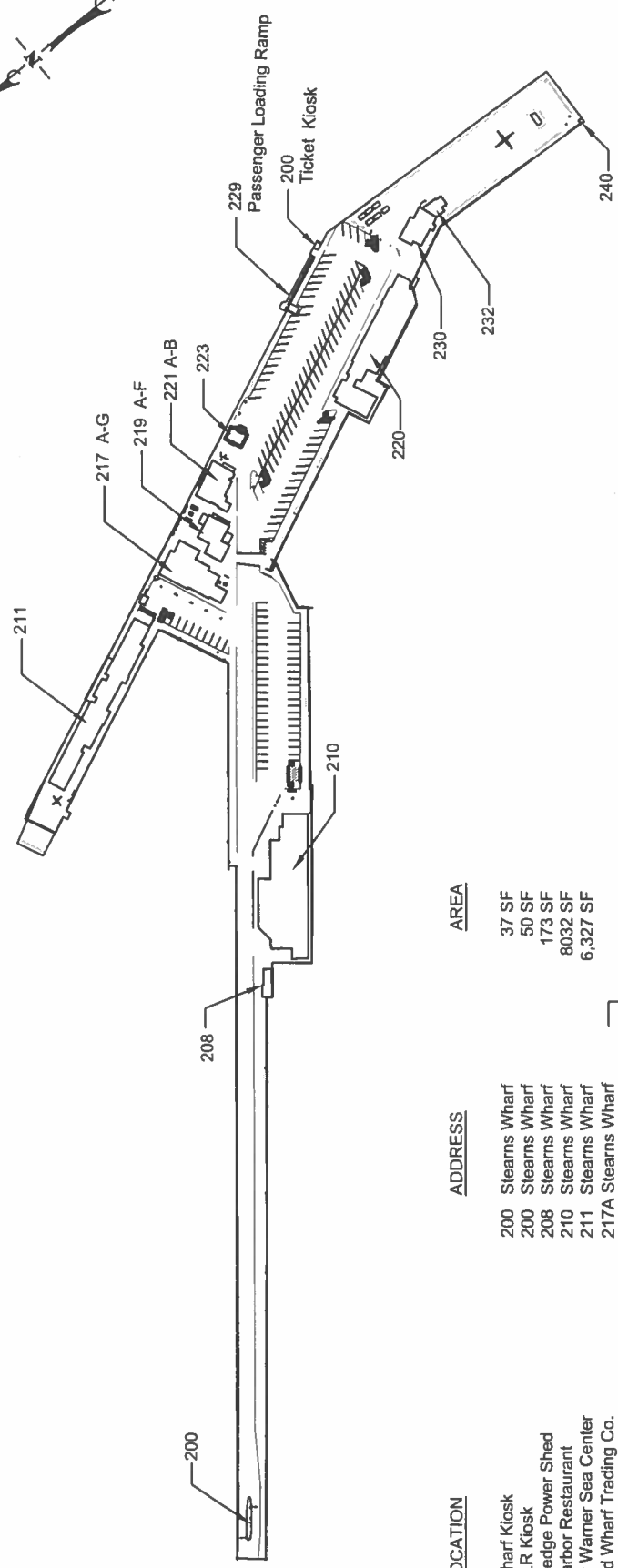
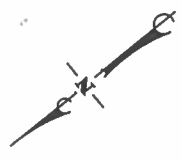
Scale (Feet)



DATE	1-1	PROJECT BY	T. Matkovsky
REV	09/16/1996	PROJECT	230 Stearns Wharf
		PROJECT NO.	2300-002
		SHEET NO.	1 of 1
City of Santa Barbara Waterfront Department			

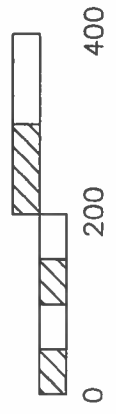
ATTACHMENT

NOV 15 2012
#1



LOCATION	ADDRESS	AREA
Wharf Kiosk	200 Stearns Wharf	37 SF
PLR Kiosk	200 Stearns Wharf	50 SF
Dredge Power Shed	208 Stearns Wharf	173 SF
Harbor Restaurant	210 Stearns Wharf	8032 SF
Ty Warner Sea Center	211 Stearns Wharf	6,327 SF
Old Wharf Trading Co.	217A Stearns Wharf	
Nature's Own	217C Stearns Wharf	
Topside	217D Stearns Wharf	2932 SF
Coastal Treasure	217E Stearns Wharf	
Conway Deep Sea Tasting Room	217G Stearns Wharf	
Great Pacific Ice Cream Co.	219A Stearns Wharf	
Mother Stearns	219B Stearns Wharf	1276 SF
Devil and the Deep Blue Sea	219C Stearns Wharf	
City Maintenance Office	219F Stearns Wharf	
Moby Dick Restaurant	220 Stearns Wharf	4586 SF
Char West Restaurant	221A Stearns Wharf	1546 SF
Madame Rosinka	221B Stearns Wharf	370 SF
City Maintenance Shed	223 Stearns Wharf	257 SF
Passenger Loading Ramp	229 Stearns Wharf	
Santa Barbara Shellfish	230 Stearns Wharf	
Bait and Tackle	232 Stearns Wharf	1538 SF
Coast Guard Light	240 Stearns Wharf	

Wharf Total Area = 180,500 Square Feet



Scale (Feet)

Stearns Wharf

City of Santa Barbara, Waterfront Department

2000-089