

HANGING LIGHT FIXTURE

NOT TO SCALE

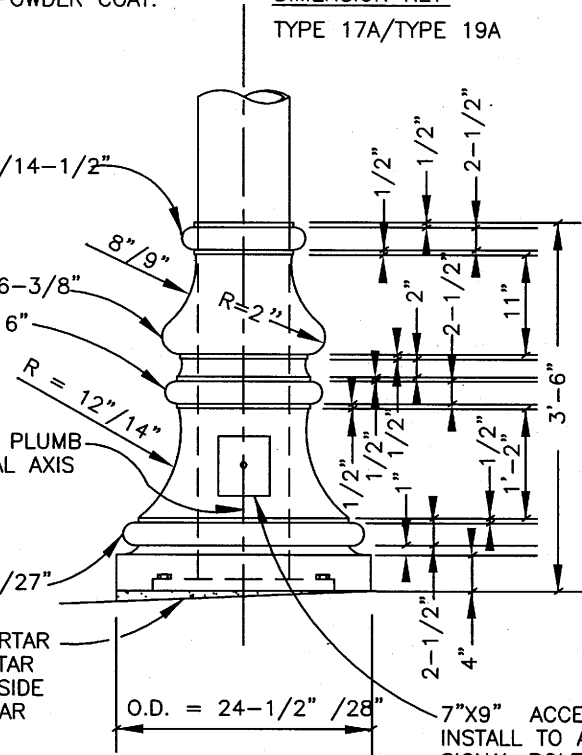
WELSBACK LIGHTING FIXTURE
NO T7PH39D3/SB. PAINT
FIXTURE MALAGA GREEN WITH U.S.
PAINT ALGRIP II OR POWDER COAT.

DIMENSION KEY
TYPE 17A/TYPE 19A

O.D. = 12-5/8" /14-1/2"
O.D. = 14-5/8"/16-3/8"
O.D. = 14"/16"

INSTALL CASTING PLUMB
SO THAT VERTICAL AXIS
OF CASTING IS
COINCIDENT WITH
AXIS OF POLE.

O.D. = 23-1/2"/27"
SET BASE IN MORTAR
BED. TRIM MORTAR
FLUSH WITH OUTSIDE
OF BASE. MORTAR
SHALL MATCH
SIDEWALK

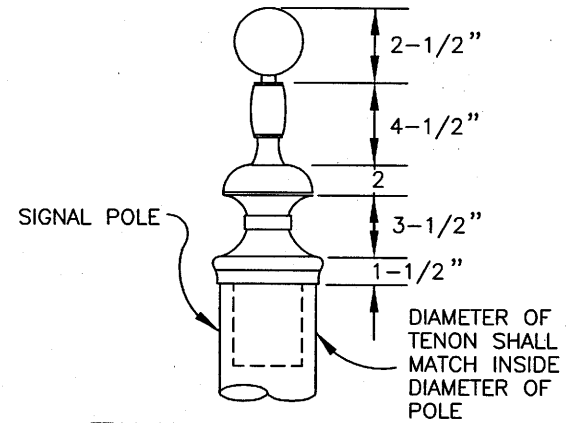


CAST BASE DETAIL

NOT TO SCALE

7"X9" ACCESS PLATE
INSTALL TO ALIGN WITH
SIGNAL POLE ACCESS
PLATE

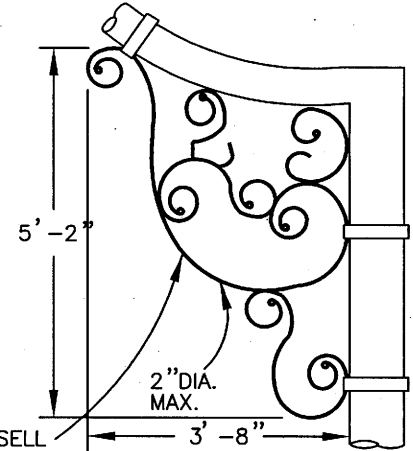
CAST ALUMINUM BRACKET. MUNSELL
GREEN (60129-MO) PAINT
ALGRIP II OR
POWDER COAT.



FINIAL DETAIL

NOT TO SCALE

DIAMETER OF
TENON SHALL
MATCH INSIDE
DIAMETER OF
POLE



DECORATIVE BRACKET

NOT TO SCALE

NOTES:

1. POLE IS THE STANDARD CALTRANS TYPE, PAINTED MALAGA-GREEN, ALGRIP II BY U.S. PAINTS.
2. LIGHT STANDARD IS 30 FEET TALL FROM THE SIDEWALK TO THE BASE OF THE FINIAL.
3. USE TYPE A FOUNDATION.

REVISED	DATE	APPROVED	
		<i>Anthony M...</i>	1/31/07
		PUBLIC WORKS DIRECTOR	DATE

CITY OF SANTA BARBARA - PUBLIC WORKS DEPARTMENT	STANDARD DETAIL
CARRILLO STREET	
DECORATIVE STREET LIGHT STANDARD	3-008.0-06