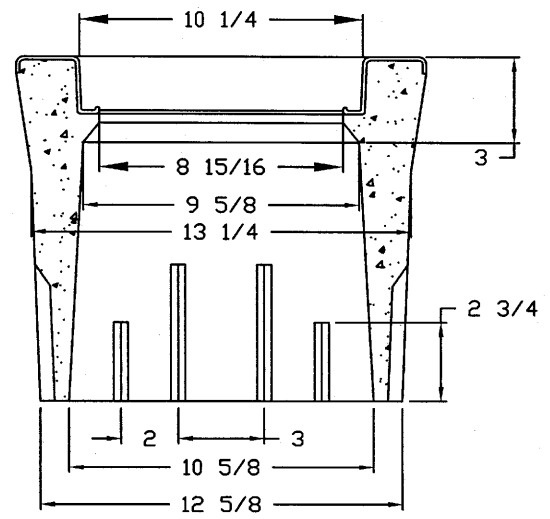
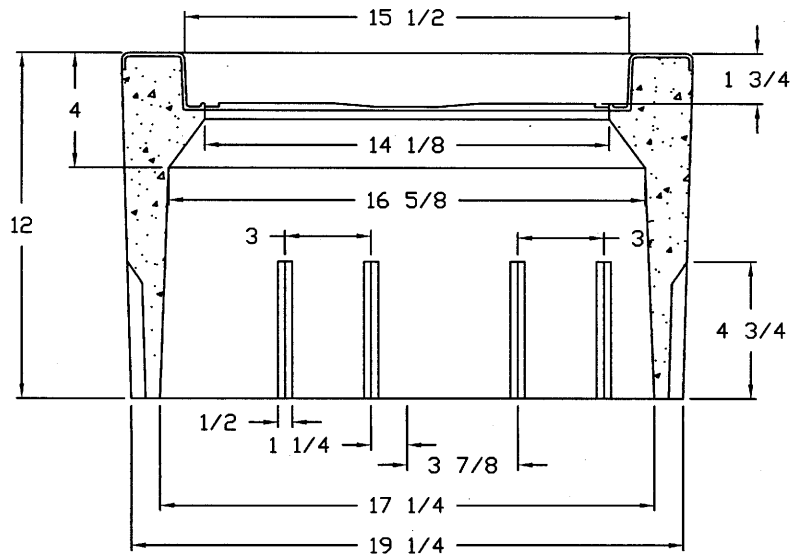
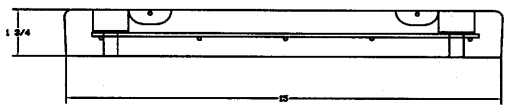
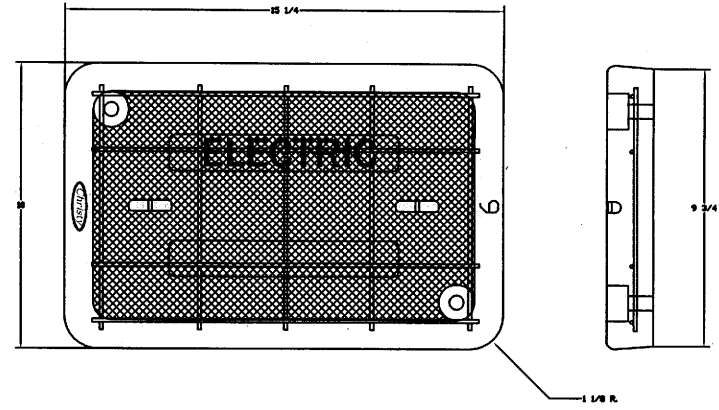


CHRISTY N9 OR T9
 PULL BOX AS PER
 ENGINEER'S
 SPECIFICATIONS



REVISED	DATE	APPROVED	CITY OF SANTA BARBARA - PUBLIC WORKS DEPARTMENT	STANDARD DETAIL
		<i>Anthony J. Dow</i>	ELECTRIC PULL BOX	3-004.0-06
		PUBLIC WORKS DIRECTOR		
		DATE		