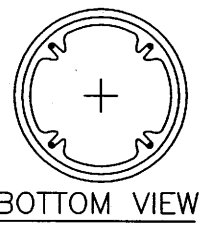
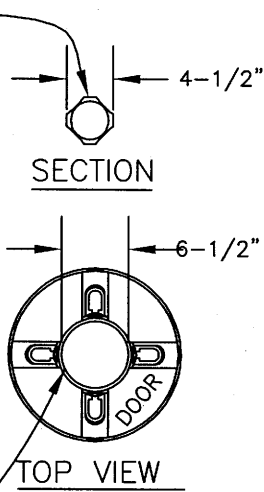


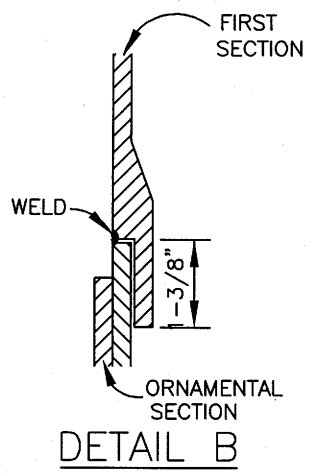
LIGHT STANDARD

NOT TO SCALE

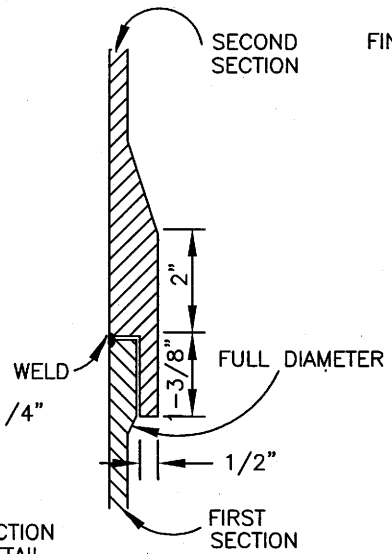


BASE DETAILS

FOR FOUNDATION DETAILS SEE "TYPE C" LIGHT STANDARD



DETAIL B

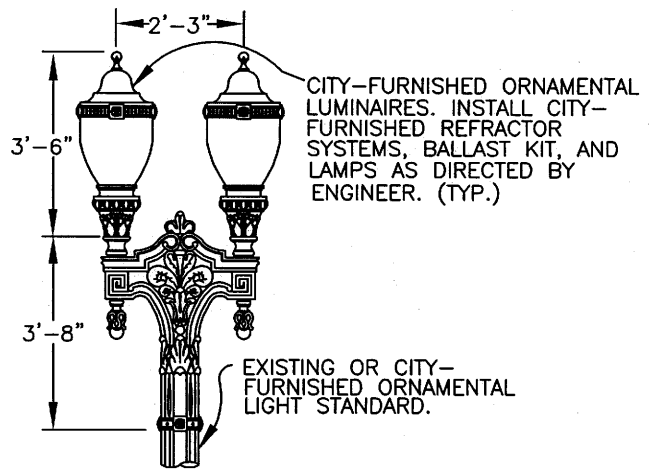


DETAIL C

TYPE B FOOTING

LIGHT STANDARD SPECIFICATIONS

- FOOTING: CITY TYPE B
- STYLE: LANSING RESIDENTIAL STANDARD
- HEIGHT: 11' - 9"
- BASE: 21-5/8"
- BOLT CIRCLE: 13" DIAMETER
- ANCHOR BOLTS: (4) 3/4" X 24" H.D. GALVANIZED STEEL
- MATERIAL: 60-45-10 CAST DUCTILE IRON WITH CASTING CERTIFIED ANALYSIS
- ACCESS DOOR: 2-3/8" X 8-3/8" X 11"
- TENON: 3-1/4" DIAMETER X 3" HEIGHT, CAST-IN
- DETAILED DESIGN: TO BE EXACT IN SHAPE AND DIMENSIONS TO THE ORIGINAL KING 0-61 FRENCH DESIGN STANDARD
- FINISH: PAINT WITH ALGRID II BY U.S. PAINTS POWDER COAT



DECORATIVE LIGHT FIXTURE

NOT TO SCALE

REVISED	DATE	APPROVED	CITY OF SANTA BARBARA - PUBLIC WORKS DEPARTMENT	STANDARD DETAIL
		<i>Anthony J. [Signature]</i>	CHAPALA STREET DECORATIVE LIGHT STANDARD	3-007.0-06
		PUBLIC WORKS DIRECTOR		
		DATE		